

BALDOR® • RELIANCE 

Product Information Packet

FPM2568T-4

300/250HP,60//50HZ,2PL,3PH,445TS,OPEN

Part Detail							
Revision:	E	Status:	PRD/A	Change #:		Proprietary:	No
Type:	AC	Elec. Spec:	A44WG5468	CD Diagram:	421948-079	Mfg Plant:	
Mech. Spec:		Layout:	617428-044	Poles:	02	Created Date:	12-18-2015
Base:		Eff. Date:	02-01-2017	Leads:	12#2		

Specs			
Catalog Number:	FPM2568T-4	Duty Rating:	CONT
Enclosure:	DP	Feedback Device:	NO FEEDBACK
Frame:	445TS	Heater Indicator:	No Heater
Frame Material:	Iron	Insulation Class:	F
Output @ Frequency:	300.000 HP @ 60 HZ	Inverter Code:	Not Inverter
	250.000 HP @ 50 HZ	KVA Code:	F
Synchronous Speed @ Frequency:	3600 RPM @ 60 HZ	Lifting Lugs:	No Lifting Lugs
Voltage @ Frequency:	380.0 V @ 50 HZ	Motor Lead Quantity/Wire Size:	12 @ 2 AWG
	460.0 V @ 60 HZ	Motor Type:	A44072M
XP Class and Group:	None	Mounting Arrangement:	F1
XP Division:	Not Applicable	Power Factor:	87
Agency Approvals:	CCSA US	Product Family:	Other
	CSA EEV	Pulley End Bearing Type:	Ball
	UL	Pulley Face Code:	Standard
Auxillary Box:	No Auxillary Box	Shaft Ground Indicator:	No Shaft Grounding
Base Indicator:	Rigid	Shaft Rotation:	Reversible
Bearing Grease Type:	Polyrex EM (-20F +300F)	Shaft Slinger Indicator:	No Slinger
Current @ Voltage:	339.000 A @ 460.0 V	Speed Code:	Single Speed

	342.000 A @ 380.0 V	Motor Standards:	NEMA
Design Code:	B	Starting Method:	Wye Start - Delta Run
Drip Cover:	No Drip Cover	Thermal Device - Bearing:	None
		Thermal Device - Winding:	None

Nameplate NP3488L											
CAT.NO.	FPM2568T-4			CUST P/N				I.P.			
SPEC.	P44G1855			SER.NO.				FRAME	445TS		
HZ	60	HP	300	RPM	3560	HZ	50	HP	250	RPM	2960
VOLTS	460			CODE	F	VOLTS	380			CODE	F
AMPS	339			DES	B	AMPS	342			DES	B
EFF	95	SER.F.	1.15	PF	87	EFF	94.7	SER.F.	1.15	PF	87
RATING	40C AMB-CONT			DE BRG	65BC03J30X			GREASE	POLYREX EM		
BLANK				ODE BRG	65BC03J30X			MTR. WT.	1697		
				CLASS	F	PH	3				
				ENCL	DP	CC	010A				
HTR-VOLTS		HTR-AMPS		HTR-WATTS		MAX. SPACE HEATER TEMP.					

Parts List		
Part Number	Description	Quantity
SA312145	SA P44G1855	1.000 EA
RA299583	RA P44G1855	1.000 EA
000692000VD	LABEL WARNING	1.000 EA
NP3488L	ALUM FIRE PUMP MOTOR (ATHENS PLANT ONLY)	1.000 EA
421948079R	MYLAR DIAG 12 LEAD PWS OR WYE-DELTA	1.000 EA
004824015A	GREASE POLYREX EM	0.544 LB
032018028CK	HHCS 3/8-16X3-1/2 PLTD.	3.000 EA
032018028EK	HHCS 5/8-11X3-1/2L PLTD	4.000 EA
034000012AB	WSHR 1/4 STD. PLATED	4.000 EA
034017012AB	LCKW 1/4 STD. PLATED 034017012AF	4.000 EA
034600001AA	BUSH 1/4TO1/8 BLACK	1.000 EA
035000001G	GREASE RELIEF FITTING, ALEMITE 317400	1.000 EA
035000001G	GREASE RELIEF FITTING, ALEMITE 317400	1.000 EA
089438082A	BRKT 440 089438081WCB	1.000 EA
410700004F	WSHR	1.000 EA
702611001A	BAFFL 440 SUB PAINT	1.000 EA
032018028CK	HHCS 3/8-16X3-1/2 PLTD.	3.000 EA
032018028EK	HHCS 5/8-11X3-1/2L PLTD	4.000 EA
034000012AB	WSHR 1/4 STD. PLATED	4.000 EA
034017012AB	LCKW 1/4 STD. PLATED 034017012AF	4.000 EA
034600001AA	BUSH 1/4TO1/8 BLACK	1.000 EA
089438082A	BRKT 440 089438081WCB	1.000 EA
702611001A	BAFFL 440 SUB PAINT	1.000 EA
032018008DK	HHCS 1/2-13X1 PLATED	4.000 EA

Parts List (continued)		
Part Number	Description	Quantity
033512004LB	HHTTS 1/4-20X1/2 PLTD.	1.000 EA
033512006LB	HHTTS 1/4-20X3/4 PLTD.	8.000 EA
035000001A	ALFTG 1/8" 1610-BL	1.000 EA
035000001A	ALFTG 1/8" 1610-BL	1.000 EA
048897010DG	PLUG,ODE BRKT - 360	1.000 EA
415000103D	T/LUG #4AWG-1/0AWG W/HOLE FOR .250 BOLT	1.000 EA
418150003A	GREASE FITTING CAP	1.000 EA
418150003A	GREASE FITTING CAP	1.000 EA
702658001A	CONDUIT BOX, E440	1.000 EA
702658002A	+C/BOX CVR, PAINTED 440	1.000 EA
MG1025R44	WILKOFAS, 784.109, CARMINE RED #3002	0.250 GA
033775004EA	DRSCR #6-1/4 304 S.S.	2.000 EA
034180024HA	KEY 5/8X5/8X3 L	1.000 EA
032018005AK	HHCS 1/4-20X5/8 PLATED	4.000 EA
032018005AK	HHCS 1/4-20X5/8 PLATED	4.000 EA
PK5004A09	BASE 48 X 39-1/4 STACK 2 X 4 RUNNER	1.000 EA

REL. S.O.	FRAME	HP	TYPE	PHASE/HERTZ	RPM	VOLTS
	445T	300	P	3/60	3560	460
AMPS	DUTY	AMB °C/INSUL.	S.F.	NEMA DESIGN	CODE LETTER	ENCL.
339	CONT	40/F	1.15	B	F	PBXE
E/S	ROTOR	TEST S.O.	TEST DATE	STATOR RES. @25 °C OHMS (BETWEEN LINES)		
-	418143013XE	---	---	.0144		

PERFORMANCE

LOAD	HP	AMPERES	RPM	POWER FACTOR %	EFFICIENCY %
NO LOAD	0	97.1	3600	5.28	0
1/4	75.1	127	3590	59.6	92.5
2/4	150	187	3581	79.0	95.0
3/4	225	259	3571	85.4	95.3
4/4	300	339	3560	87.1	95.1
5/4	375	422	3549	87.9	94.5

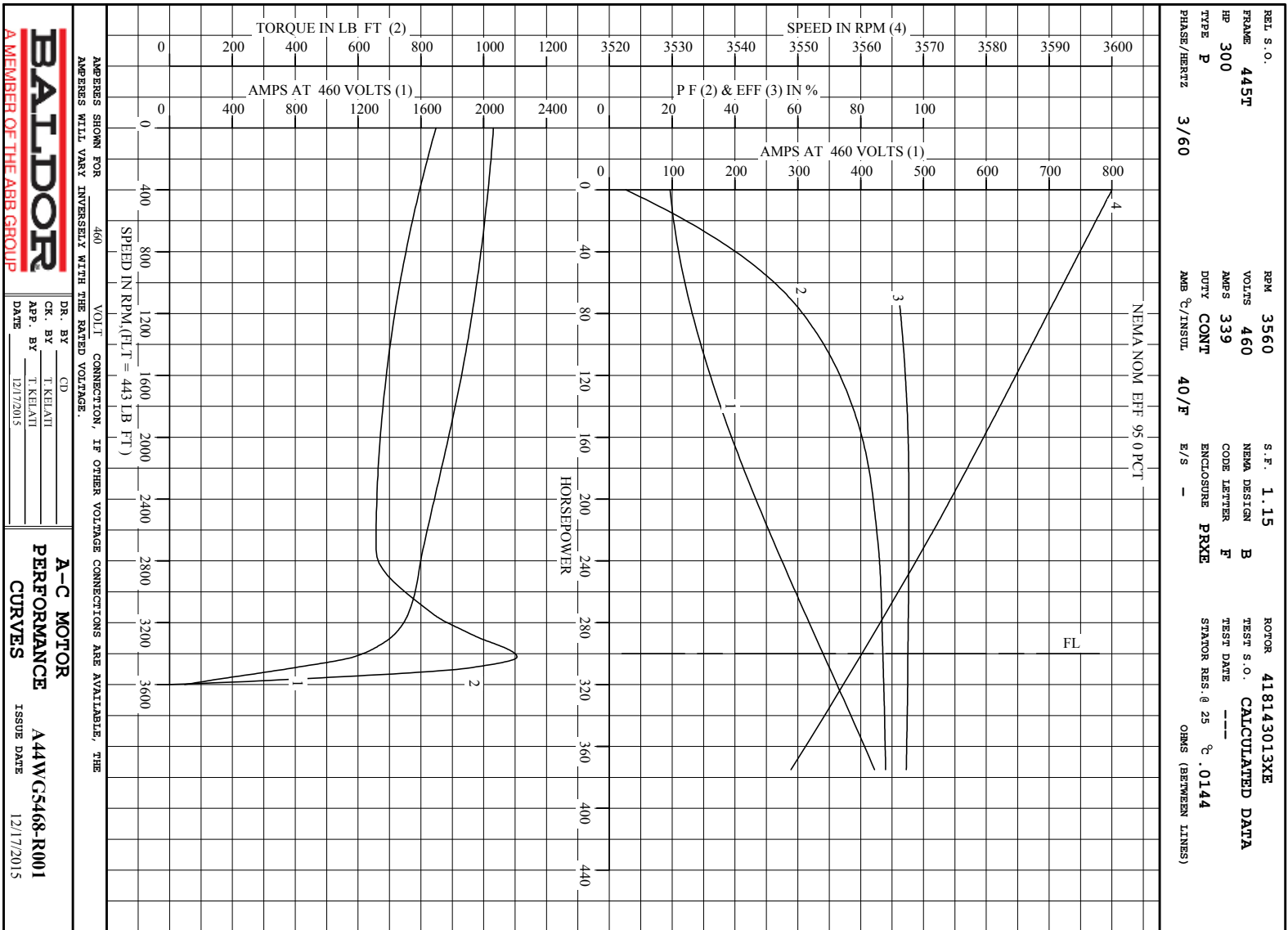
SPEED TORQUE

	RPM	TORQUE % FULL LOAD	TORQUE LB.-FT.	AMPERES
LOCKED ROTOR	0	192	848	2062
PULL UP	2735	148	657	1611
BREAKDOWN	3422	250	1106	1170
FULL LOAD	3560	100	443	339

AMPERES SHOWN FOR 460. VOLT CONNECTION. IF OTHER VOLTAGE CONNECTIONS ARE AVAILABLE, THE AMPERES WILL VARY INVERSELY WITH THE RATED VOLTAGE

REMARKS: CALCULATED DATA
NEMA NOM. EFF. 95.0 PCT.

 A MEMBER OF THE ABB GROUP	DR. BY	CD	A-C MOTOR
	CR. BY	T. RELIANT	PERFORMANCE DATA
	APP. BY	T. RELIANT	A44WG5468-R001
	DATE	12/17/2015	ISSUE DATE 12/17/20



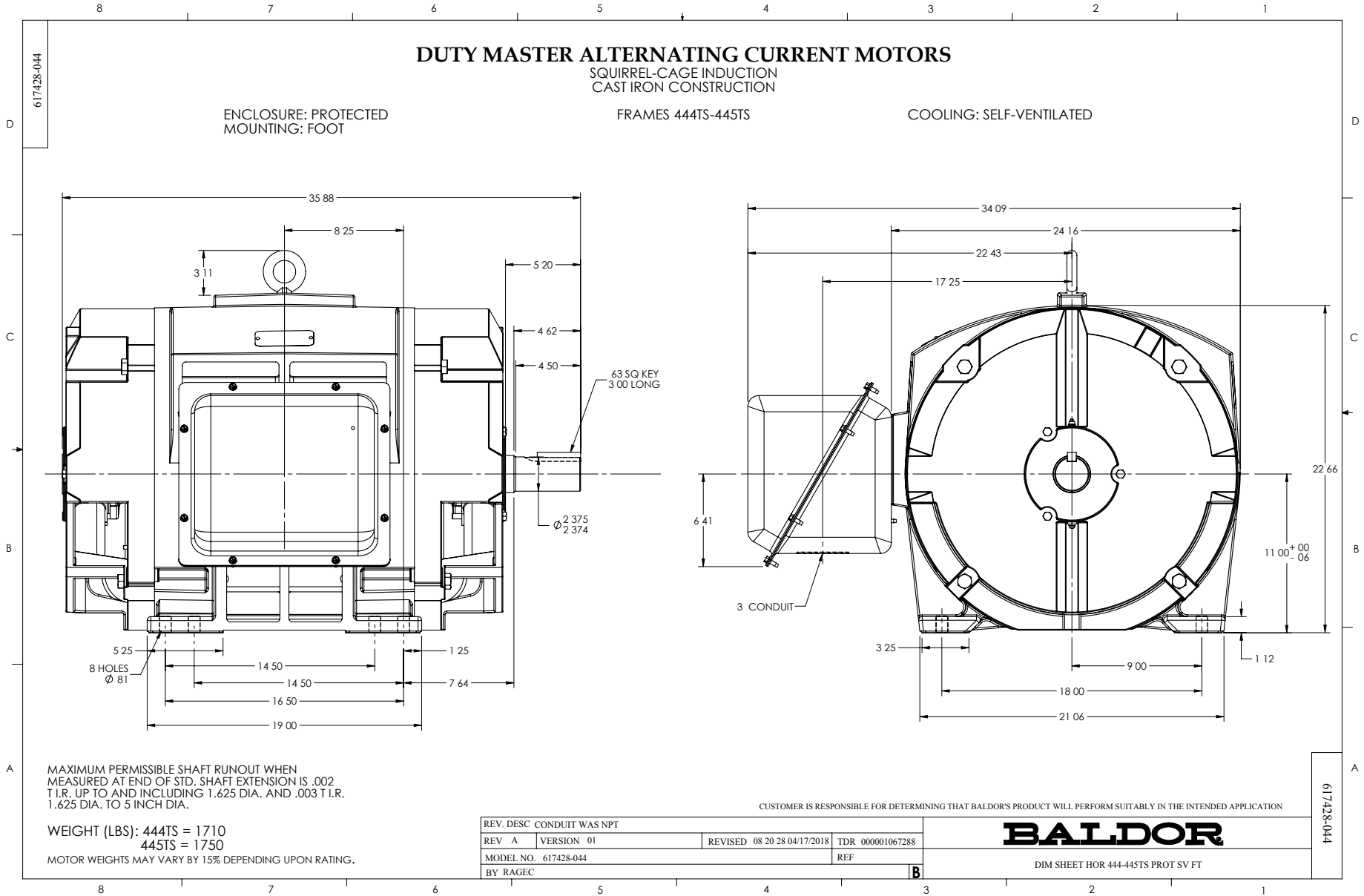
BALDOR
A MEMBER OF THE ABB GROUP

DR. BY CD
CK. BY T. KEHATI
APP. BY T. KEHATI
DATE 12/17/2015

A-C MOTOR
PERFORMANCE
CURVES

A44WC5468-R001
ISSUE DATE 12/17/2015

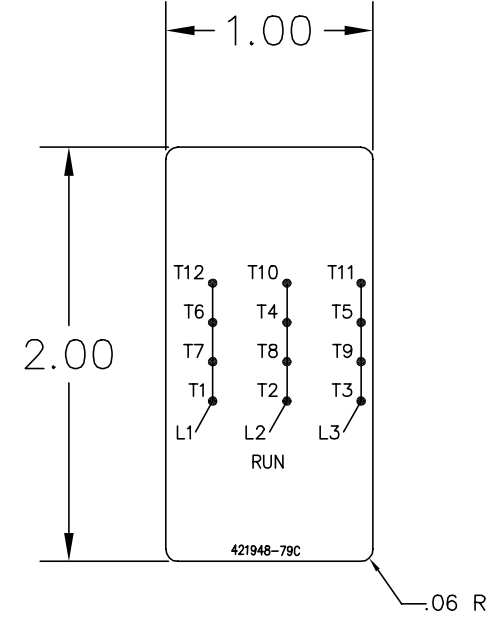
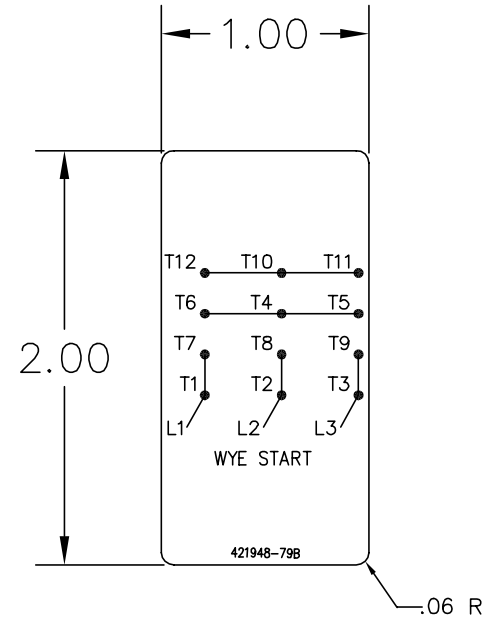
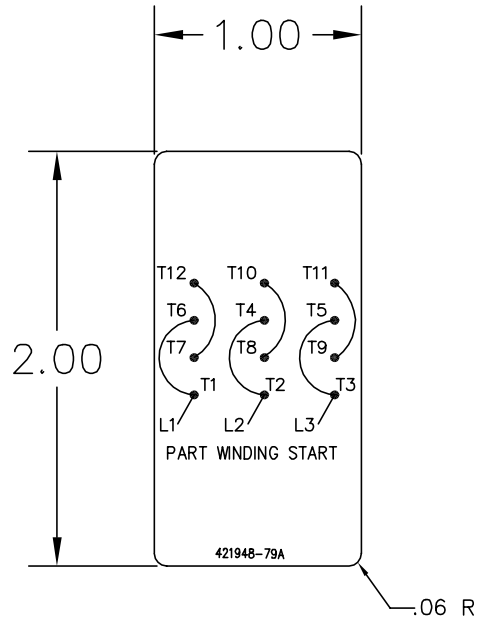
Printed on 12/18/15 9:04 @ bengap01.baldor.com



421948-079

TOLERANCE UNLESS OTHERWISE SHOWN
 ONE PLACE DECIMAL ±.1
 TWO PLACE DECIMAL ±.02
 THREE PLACE DECIMAL ±.003
 ANGLE ±0°-30'

SURFACE FINISH $\sqrt{250}$



MATERIAL SPECIFICATION: .005 THICK DULL SILVER MYLAR,
 TOPCOAT-ARMORCOTE, PS ADHESIVE, LABEL MUST MEET THE
 REQUIREMENTS AS SPECIFIED IN CANADIAN STANDARDS
 ASSOCIATION: "CSA TESTING LABORATORIES TEST PROGRAM
 FOR ADHESIVE TYPE NAMEPLATES".
 LETTERING: UNIVERSAL TYPE UNLESS OTHERWISE SPECIFIED.
 COLORS: 1) BLACK ON NATURAL BACKGROUND

REF: 410961-66A

-	1	421948-79C	RUN CONNECTION
-	1	421948-79B	WYE START
-	1	421948-79A	PART WINDING START
-	R	PART	DESCRIPTION

421948-079

REV. DESC:		
REV. LTR: A	VERSION: 01	TDR: 000000591489
FILE: \RAG\00013\521		REVISED: 01:12:47 04/18/2011
MTL: -	BY: RAGBRP	

BALDOR

MYLAR 12 LEAD PWS OR WYE-DELTA WIRING DIAGRAM

SH 1 of 1

Marketing maintained PDF of MN408:

[MN408?ManNumber=MN408](#)

Marketing maintained PDF of MN416:

[MN416?ManNumber=MN416](#)